

PRECISION INSTRUMENT COMPANY

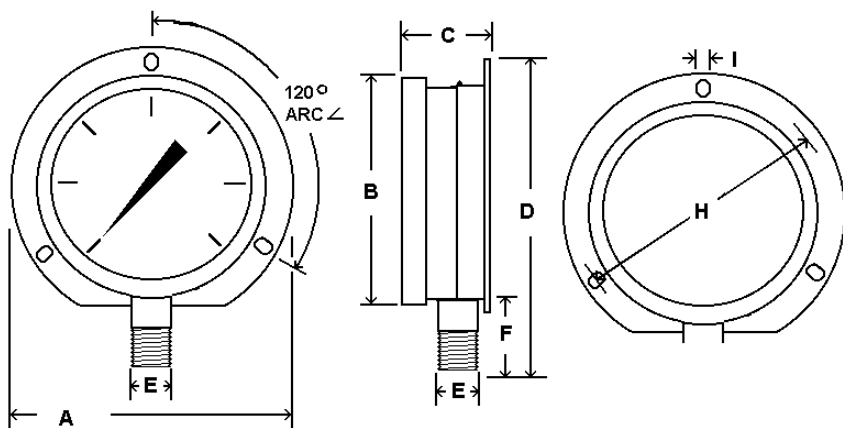
6" DIAL ALL SS GAUGE MODEL '6001'

STANDARD SPECIFICATIONS:

- DIAL:** 6" Diameter
- CASE:** Stainless Steel
- LENS:** Laminated Safety Glass
- POINTER:** Micro Adjustable
- BOURDON TUBE:** AISI 316 Stainless Steel
- SOCKET :** AISI 316 Stainless Steel
- MOVEMENT:** SS Heavy Duty
- ACCURACY:** 0.5 % Full Scale (ANSI Grade 2A)

STANDARD FEATURES

- *Hermetically Sealed/Weather Proof
- *Welded Case and Connection
- *Liquid Fillable / No Kit Required
- *Best Product Best Price Best Value !!*



	A	B	C	D	E	F	H	I	(=NPT)
INCH	7.65"	6.75"	2.04"	8.41"	.54"	1.50"	6.90"	.24"	¼" or ½"NPT
MM	194	172	52	214	14	38	175	6	

RANGE	FIGURES	MINOR
30"-0 hg vac	5"	0.2"
30"-0-15	10" & 5 psi	1" & 0.5 psi
30"-0-30	10" & 5 psi	1" & 0.5 psi
30"-0-60	10" & 10 psi	2" & 1 psi
30"-0-100	10" & 20 psi	2" & 1 psi
30"-0-150	10" & 30 psi	5" & 2 psi
30"-0-200	10" & 50 psi	5" & 2 psi
30"-0-300	10" & 50 psi	10" & 5 psi
30"-0-600	10" & 100 psi	10" & 10 psi
0-15 psi	3 psi	0.2 psi
0-30 psi	5 psi	0.2 psi
0-60 psi	5 psi	0.5 psi
0-100 psi	10 psi	1 psi
0-160 psi	20 psi	1 psi
0-200 psi	20 psi	2 psi
0-300 psi	50 psi	2 psi
0-400 psi	50 psi	2 psi
0-600 psi	50 psi	5 psi
0-800 psi	100 psi	5 psi
0-1000 psi	100 psi	10 psi
0-1500 psi	250 psi	10 psi
0-2000 psi	200 psi	20 psi
0-3000 psi	500 psi	20 psi
0-5000 psi	1,000 psi	50 psi
0-10,000 psi	1,000 psi	100 psi
0-15,000 psi	2,500 psi	100 psi
0-20,000 psi	2,000 psi	200 psi

Available Accessories Include:

Diaphragm Seals	Needle Valve & Gauge Valves	Snubbers, Siphons & Accessories