





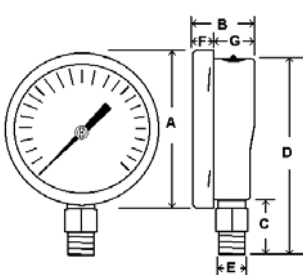

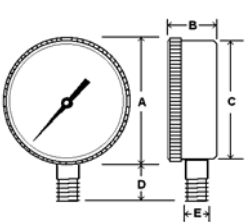


2 1/2" & 4" Liquid Filled Gauges		
	Description	
	Stainless Steel Case 316SS Tube & Socket Removable Bezel Adjustable Pointer Plastic Lens Glycerine Filled 1 % Accuracy	1/4"NPT or 1/2"NPT Bottom or Back Mount Stem Mount or Panel Mount Flangeless, Front Flange or Back Flange Liquid Filled or Dry
2 1/2" & 4" Dry – Chrome Case Gauges		
	Description	
	Chrome Plated Steel Case Steel Tube & Socket Removable Bezel Adjustable Pointer Plastic Lens	1/4"Bottom Connection Other Configurations Available upon request
4 1/2" Dial Process Gauges		
	Description	
	Polypropylene Case Turret Style with Back Flange 316SS Tube & Socket Laminated Safety Glass Lens 0.5 % Full Scale Accuracy Adjustable Pointer	1/4"NPT or 1/2"NPT Bottom or Back Mount Stem Mount or Panel Mount Flangeless, Front Flange or Back Flange Liquid Filled or Dry Stainless Steel Case Available also
6" Dial All Stainless Steel		
	Description	
	Stainless Steel Case 316SS Tube & Socket Laminated Safety Glass Lens Adjustable Pointer	1/4"NPT or 1/2"NPT Bottom or Back Mount Stem Mount or Panel Mount Flangeless, Front Flange or Back Flange Liquid Filled or Dry
8 1/2" Dial		
	Description	
	Black Steel Case 316SS Tube & Socket 1 % Full Scale Accuracy Removable Bezel Adjustable Pointer	1/4"NPT Lower Back Connection, Back Flange Other Configurations Available upon request


Liquid Filled Gauges for Ammonia Refrigerant

	Description		Model Numbers			
	Stainless Steel Case 316SS Tube & Socket Removable Bezel Adjustable Pointer Plastic Lens Glycerine Filled 1 % Accuracy		Range (Press = Temp)		2 1/2" Dial Size	
			-30/0/150 = -40 to + 85 'F		AMMONIA-LF-254CF	
			-30/0/300 = -40 to + 125'F		AMMONIA-LF-254CH	
			Range (Press = Temp)		4" Dial Size	
		-30/0/150 = -40 to + 85 'F		AMMONIA-LF-404CF		
		-30/0/300 = -40 to + 125'F		AMMONIA-LF-404CH		
Dimensions						
	2 1/2"		4"			
		Inches	MM	Inches	MM	
	A	2.75	70	4.36	110	
	B	1.36	34	1.73	44	
	C	1.00	25	1.38	35	
	D	3.48	88	5.26	133	
	E	1/4" MNPT		1/4" MNPT		
G	.78	20	1.06	27		

Dry – Chrome Case Gauges for Ammonia Refrigerant

	Description		Model Numbers			
	Chrome Plated Steel Case Steel Tube & Socket Removable Bezel Adjustable Pointer Plastic Lens		Range (Press = Temp)		2 1/2" Dial Size	
			-30/0/150 = -40 to + 85 'F		401A-254CF	
			-30/0/300 = -40 to + 125'F		401A-254CH	
			Range (Press = Temp)		4" Dial Size	
		-30/0/150 = -40 to + 85 'F		401A-404CF		
		-30/0/300 = -40 to + 125'F		401A-404CH		
Dimensions						
	2 1/2" Dial Size		4" Dial Size			
		Inches	MM	Inches	MM	
	A	2.87	73	4.21	107	
	B	1.14	29	1.35	34	
	C	2.65	67	3.89	99	
	D	.84	21	1.03	26	
	E	1/4" MNPT		1/4" MNPT		

Dry – Black Steel Case Gauges for Agricultural Ammonia

	Description		Dimensions		
	Black Painted Steel Case Steel Tube & Socket Plastic Lens Accuracy: 3-2-3 %		2 1/2"		
				Inches	MM
			A	2.50	63.5
			B	1.13	29
		C	.99	25	
		D	3.40	86	
		E	1/4" MNPT		
Model Numbers					
0-60 PSI = 401A-254D					
0-160 PSI = 401A-254F					
0-400 PSI = 401A-254I					

401DFW AMMONIA GAUGES

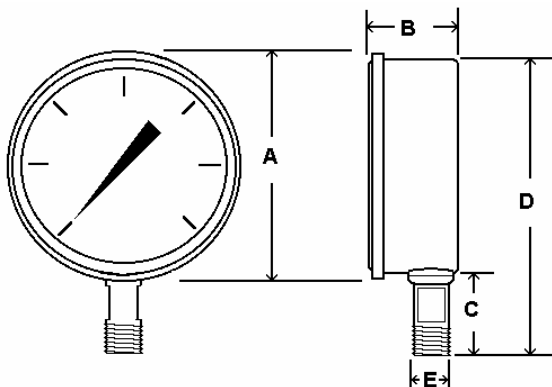
Our '401' series gauge line is a competitive line of ammonia gauges, designed with the original equipment manufacturers in mind. Available dry, glycerine filled or silicone filled, these gauges are suitable for use on most ammonia refrigeration systems

These gauges are liquid fillable: the liquid filling helps dampen the effects of pulsation and vibration, while also perpetually lubricating the movement (and keeping contaminants such as dirt away from all moving parts) which will extend the life of the gauge. Also the case and connection are welded preventing possible leakage at the bottom of the case.

Although these gauges are the best mix of quality and price we also stock a full line of ammonia gauges available in various dial sizes, connections and case designs.

SPECIFICATIONS:

- **Dial Sizes:** 2 1/2" or 4"
- **Connection Sizes:** 1/4" MNPT
- **All Welded Case & Connection**
- **Stainless Steel Case And Bezel**
- **Plastic Lens**
- **SS Internals**
- **316 SS Bourdon Tube & Connection**
- **Built in Snubber** (for Extra Dampening Effect)
- **Dry (Liquid Filled Available)**
- **Accuracy :** 2 1/2" Dial Size = 1.5 %
4" Dial Size = 1 %
- **Dual Scale: PSI & 'F Temp Equivalent**
(Metric Scale available)
- **Ranges Available:**
30/0/150 PSI & -40/0/80°F
30/0/300 PSI & -40/0/120°F
- **Ambient temperature:** DRY: -40°F to 180°F
Glycerine Filled: 30°F to 160°F
Silicone Filled: -50°F to 300°F



		A	B	C	D	E
2 1/2" Dial	In	2.67"	1.22"	1.06"	3.60"	1/4" NPT
	MM	68mm	31mm	27mm	92mm	
4" Dial	In	4.21"	1.42"	1.34"	5.40"	1/4" NPT
	MM	107mm	36mm	34mm	137mm	

Available Accessories Include:

		
<p align="center">Diaphragm Seals</p>	<p align="center">Needle Valve & Gauge Valves</p>	<p align="center">Snubbers, Siphons & Accessories</p>