

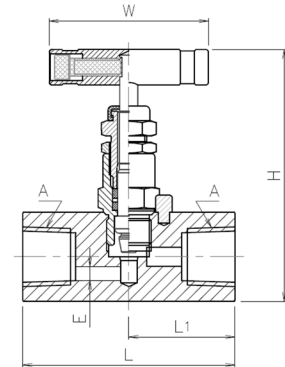
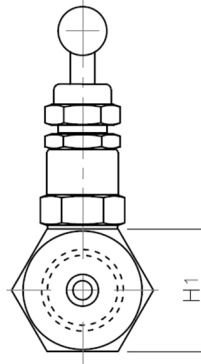
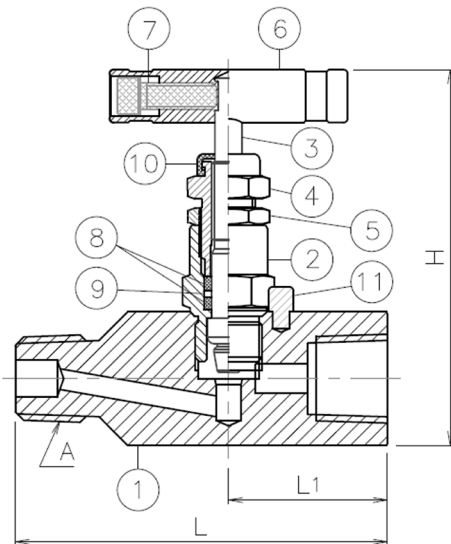
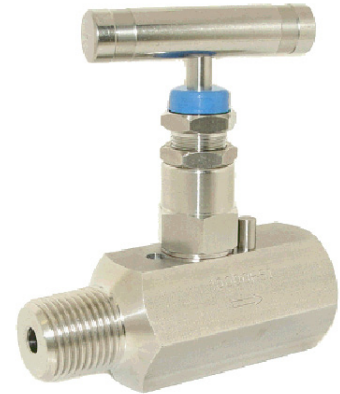
# HV HEX BODY - HARD SEAT NEEDLE VALVE



**Strong and durable, instrument grade hex body needle valve with hard seat  
Pressures up to 10,000 psi hard seat**

## SPECIFICATIONS

<b>Series Number</b>	"HV"
<b>Material</b>	Carbon steel or 316 stainless steel body
<b>Pressure Rating</b>	Hard seat - 10,000 psi at 200° F
<b>Connection Size</b>	1/4", 1/2", 3/4" or 1" NPT male x female, female x female
<b>Handle</b>	Tee
<b>Box Quantity</b>	Standard: 15 pieces; 1": 10 pieces
<b>Est. Unit Weight</b>	Standard: 1.25 lb/0.58 kg; 1": 1.75 lb/0.80 kg



Number	Description	316SS Valve	Carbon Steel Valve
1	Body	S316	C.S.
2	Bonnet	S316	C.S.
3	Stem	S316	S304
4	Adjuster	S316	C.S.
5	Lock Nut	S316	C.S.
6	Handle	S303	C.S.
7	Fixing Screw	S302	C.S.
8	Stem Seal	PTFE	PTFE
9	Stem Seal	Viton®	Viton®
10	Dust Cap	NBR	NBR
11	Locking Pin	S303	S303

Hard Seat Part Number	Unit	L	L1	H	H1	E	W
HV-(X)S-1/4-HS-180-MXF 1/4" NPT	In.	3.2"	1.4"	3.9"	1.3"	0.2"	2.2"
HV-(X)S-1/2-HS-180-MXF 1/2" NPT	In.	3.0"	1.5"	3.9"	1.3"	0.2"	2.2"
HV-(X)S-3/4-HS-180-MXF 3/4" NPT	mm	82	35	98	32	4.8	57
HV-(X)S-1/4-HS-180-FXF 1/4" NPT	In.	3.0"	1.5"	3.9"	1.3"	0.2"	2.2"
HV-(X)S-1/2-HS-180-FXF 1/2" NPT	In.	3.0"	1.5"	3.9"	1.3"	0.2"	2.2"
HV-(X)S-3/4-HS-180-FXF 3/4" NPT	mm	75	37.5	98	32	4.8	57
HV-(X)S-1-HS-180-MXF 1" NPT	In.	3.7"	1.6"	4.4"	1.6"	0.3"	2.2"
HV-(X)S-1-HS-180-FXF 1" NPT	In.	3.1"	1.6"	4.4"	1.6"	0.3"	2.2"
	mm	80	40	112	41	7	57

(X)= C or S  
C = Carbon Steel  
S = 316 Stainless Steel

## AVAILABLE OPTIONS\*

- High Temperature
- NACE
- Tube End Connection
- Alternate Connection Sizes

\*Lead times/minimums may apply

All dimensions shown in the catalog are approximate and subject to change.