

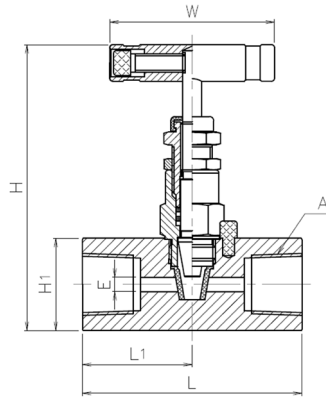
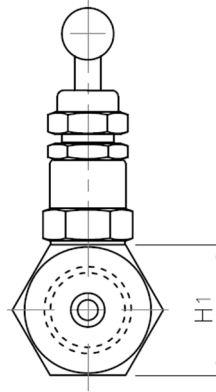
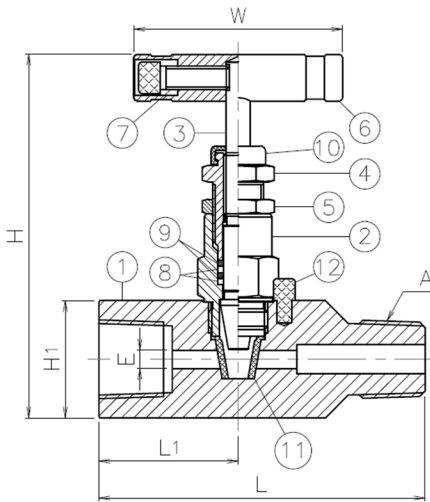
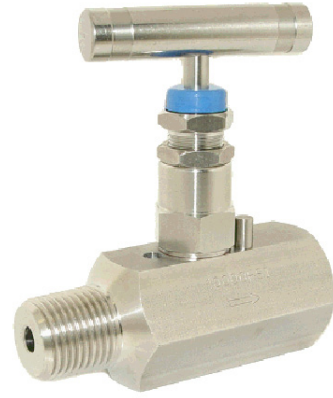


HV HEX BODY - SOFT SEAT NEEDLE VALVE

Strong and durable, instrument grade hex body needle valve with soft seat
Pressures up to 6,000 psi soft seat

SPECIFICATIONS

Series Number	"HV"
Material	Carbon steel or 316 stainless steel body
Pressure Rating	Soft seat - 6000 psi at 200° F
Connection Size	1/4", 1/2", 3/4" or 1" NPT male x female, female x female
Handle	Tee
Seat Material	Soft Seat - POM
Box Quantity	Standard: 15 pieces; 1": 10 pieces
Est. Unit Weight	Standard: 1.25 lb/0.58 kg; 1": 1.75 lb/0.80 kg



Number	Description	316SS Valve	Carbon Steel Valve
1	Body	S316	C.S.
2	Bonnet	S316	C.S.
3	Stem	S316	S304
4	Adjuster	S316	C.S.
5	Lock Nut	S316	C.S.
6	Handle	S303	C.S.
7	Fixing Screw	S302	C.S.
8	Stem Seal	PTFE	PTFE
9	Stem Seal	Viton®	Viton®
10	Dust Cap	NBR	NBR
11	Soft Seat	POM	POM
12	Locking Pin	S303	S303

Soft Seat Part Numbers		Unit	L	L1	H	H1	E	W
HV-(X)S-1/4-GS-180-MXF	1/4" NPT	In.	3.2"	1.4"	3.9"	1.3"	0.2"	2.2"
HV-(X)S-1/2-GS-180-MXF	1/2" NPT	mm	82	35	98	32	6	57
HV-(X)S-3/4-GS-180-MXF	3/4" NPT							
HV-(X)S-1/4-GS-180-FXF	1/4" NPT	In.	3.0"	1.5"	3.9"	1.3"	0.2"	2.2"
HV-(X)S-1/2-GS-180-FXF	1/2" NPT	mm	75	37.5	98	32	6	57
HV-(X)S-3/4-GS-180-FXF	3/4" NPT							
HV-(X)S-1-GS-180-MXF	1" NPT	In.	3.7"	1.6"	4.4"	1.6"	0.3"	2.2"
		mm	95	41.5	112	41	7	57
HV-(X)S-1-GS-180-FXF	1" NPT	In.	3.1"	1.6"	4.4"	1.6"	0.3"	2.2"
		mm	80	40	112	41	7	57

(X)= C or S
C = Carbon Steel
S = 316 Stainless Steel

All dimensions shown in the catalog are approximate and subject to change.

AVAILABLE OPTIONS*

- High Temperature
- NACE
- Tube End Connection
- Alternate Connection Sizes

*Lead times/minimums may apply